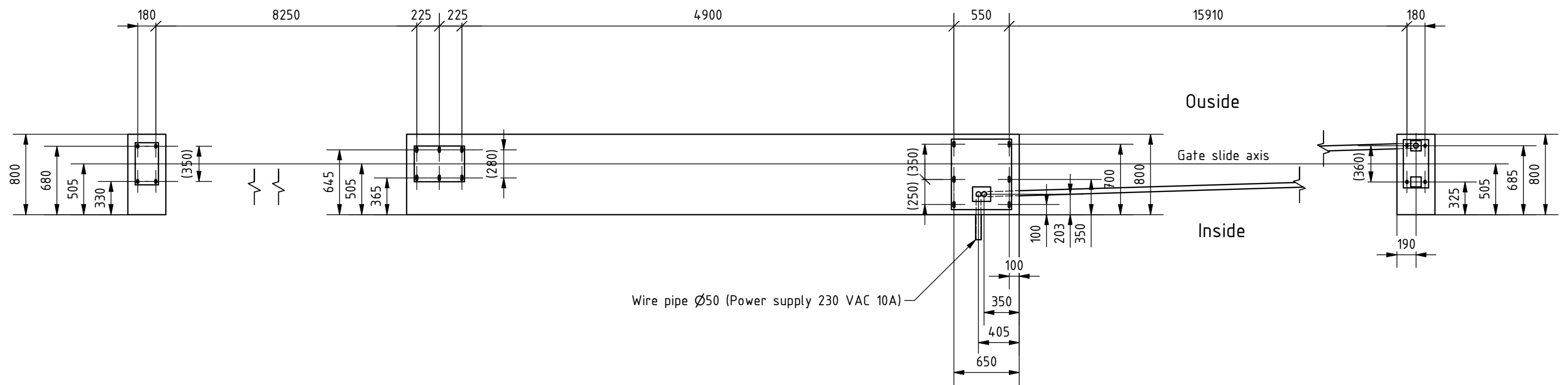
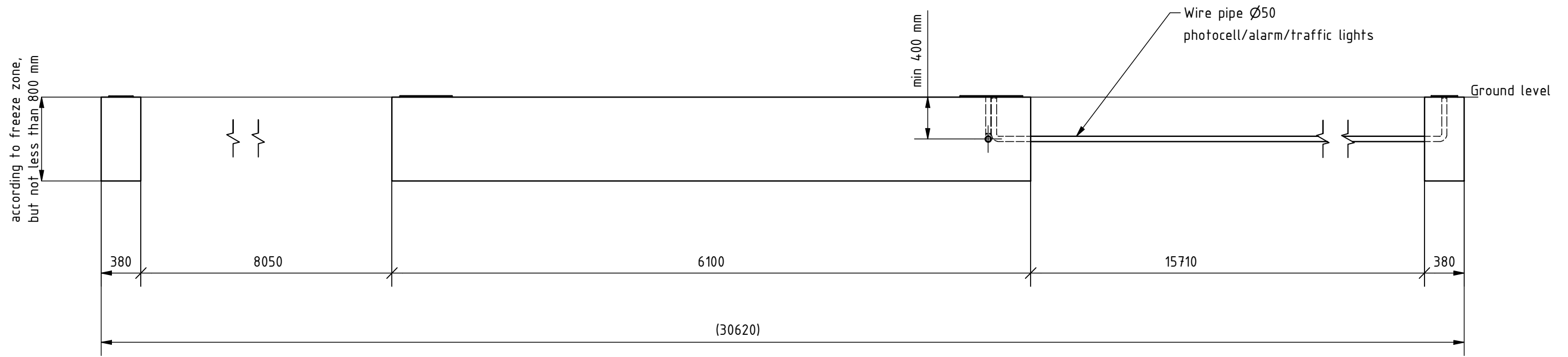


Remarks:

1. All dimensions in mm.
2. Side view of foundations is from inside of property.
3. Prepare foundation with concrete class C25. Concrete must be reinforced with fibres/rebars and flat on top.
4. Expected concrete capacity 4,4 m<sup>3</sup>.
5. For gate installation use chemical anchors M16x300 (20 pcs.) or longer. Anchors must be minimum 80 mm over concrete surface. Minimum drilling depth 200 mm. For installation follow Fisher System rules.
6. This is suggested foundation plan. Demensions, reinforcment, anchoring.

	Remarks				
	Designed by A. Knauber	Scale 1 : 40	Format A3	Data 24.11.2021	Sheet number 1/2
Edited by	Height	Width	Material	Mass	
Number S.002217	Drawing Foundation plan Magni 16000 R			Rev. A	



Remarks:

1. All dimensions in mm.
2. Side view of foundations is from inside of property.
3. Prepare foundation with concrete class C25. Concrete must be reinforced with fibres/rebars and flat on top.
4. Expected concrete capacity  $4,4 \text{ m}^3$ .
5. For gate installation use chemical anchors M16x300 (20 pcs.) or longer. Anchors must be minimum 80 mm over concrete surface. Minimum drilling depth 200 mm. For installation follow Fisher System rules.
6. This is suggested foundation plan. Demensions, reinforcment, anchoring.

		Remarks			
		Designed by A. Knauber	Scale 1 : 40	Format A3	Data 24.11.2021
Edited by		Height	Width	Material	Mass
Number S.002217		Drawing Foundation plan Magni 16000 R			Rev. A